

The wall-mounted coat rack WGOG is made from aluminum and impresses with a modern and very reduced design. The product always comes in a length of one meter, the number of hooks is optional. In addition, it can be decided during assembly whether the coat rack is closed at the top or has a recess as a parcel shelf - depending on the installation of the center console.

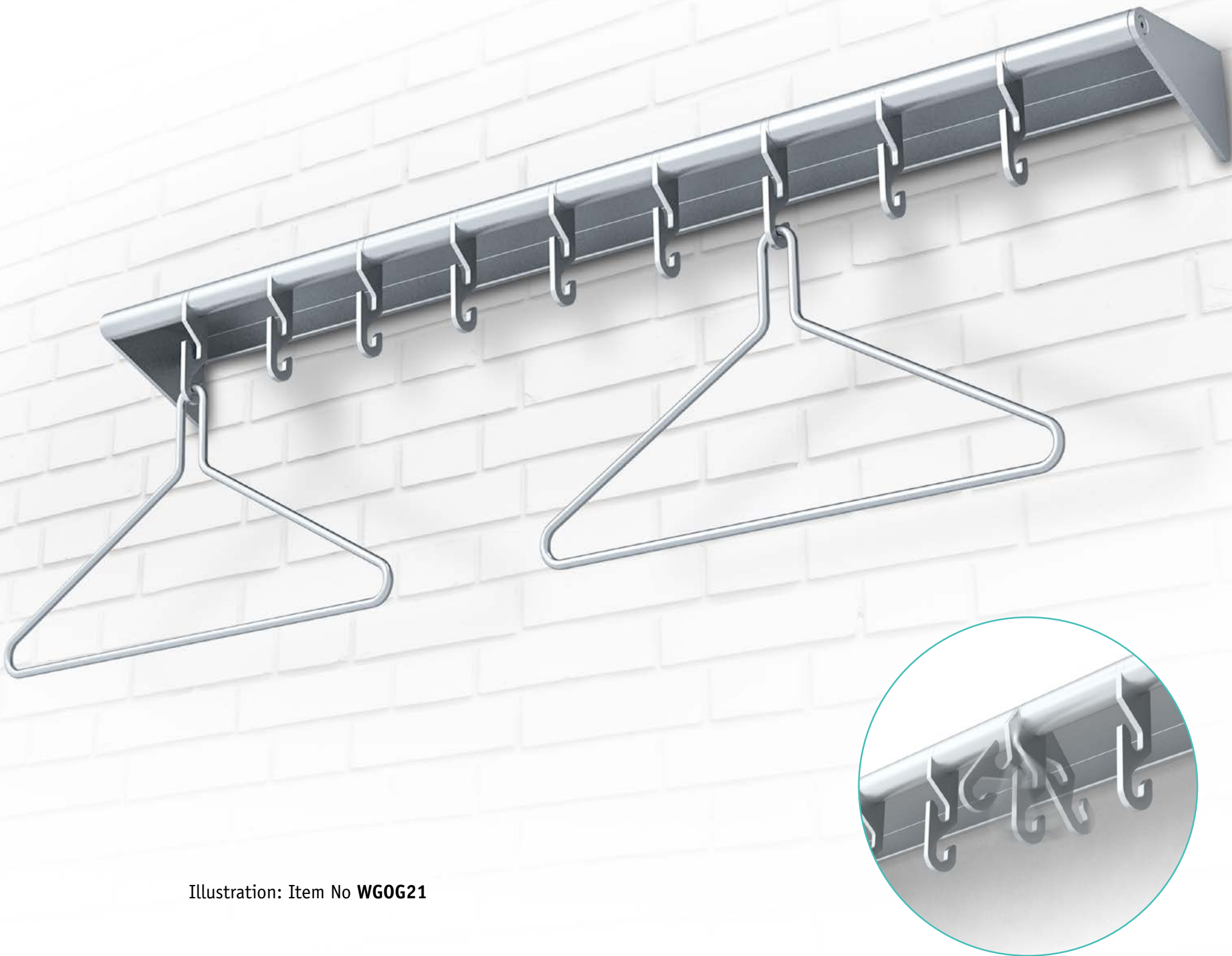
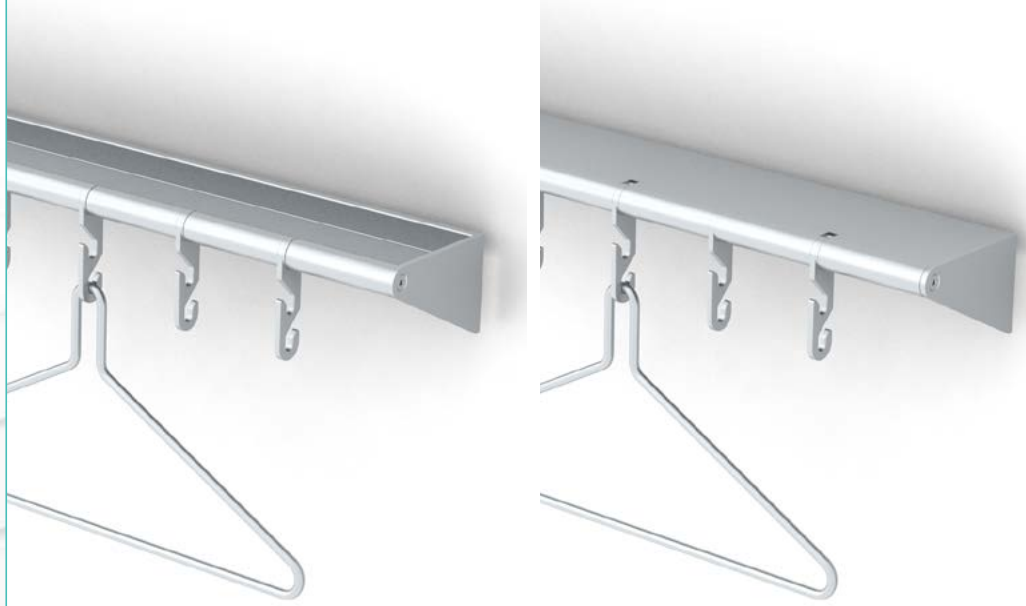


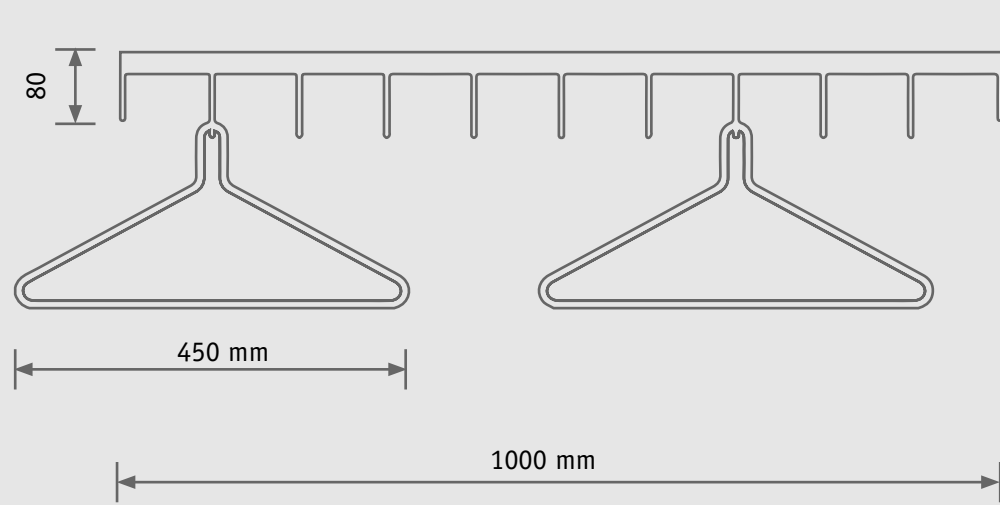
Illustration: Item No WGOG21

All hooks are swiveling.

Informations



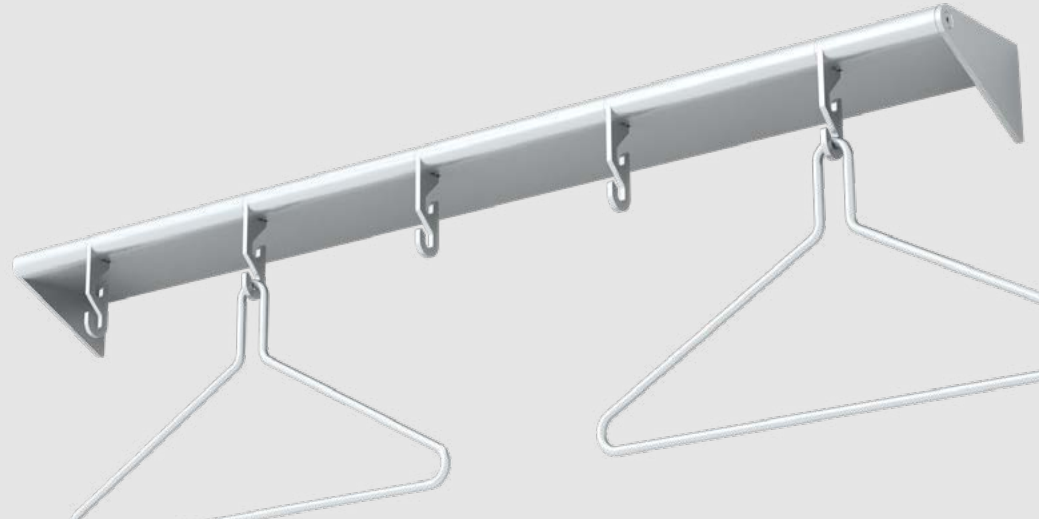
Choose between an open-top or closed version - this option depends on the installation of the center console.



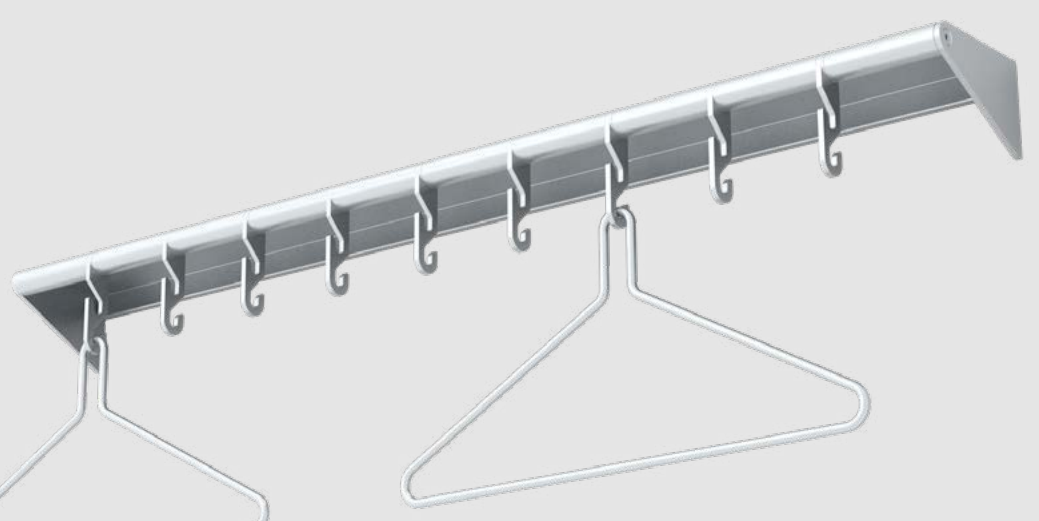
Depth 120 mm

A Hook options

1



2



▲ Choose between the following hook options

1 5 hooks **2** 10 hooks

B Hanger

	0	1	2	3
Number of hangers	0	2	5	10

Now configure your desired coat rack. The product base number together with your selection create the article number. Using this number you can order from us by phone or by email:

Tel. +49-2334 9096-10
info@garderoben-haarmann.de

Base number

A	B
WGOG	

For more information on ordering and your article number please see page 2!

Technical details as at 07/2019, subject to modification

Configure your desired coat rack

Order

1.

Assemble your desired coat rack using the fact-sheet. This will then be individually manufactured according to your requirements - Quality directly from the manufacturer!

3.

Order using your article number by phone or by email:

Tel.+49-2334 9096-10
info@garderoben-haarmann.de

The correct article number

2.

Select from the respective options in the categories A-F. The result is the article number, which you use to order directly from us.

If you still have questions, then simply call us or send us an e-mail.



How can I get my correct article number?

Easy. For example you want to configure and order the coat rack stand 70*28?

Proceed as follows: First of all select the desired profile from category **A** e.g. option 2 - the right corner profile 65*22mm. The first digit after the base number **RG70*28** is 2.

Select the respective options from the remaining categories. The last 3 or 4 digits are taken from the length of the coat rack, category **F**. For example If you select for a 660 mm long coat rack, the last 3 digits of the article number will be 660.

